



GLCA01A1B



Actual product appearance may vary.

Global Limit Switches Series GLS: Side Rotary With Roller - Standard, 1NC 1NO SPDT Snap Action, 0.5 in - 14NPT conduit

Features

- Designed to IEC standard for world-wide applications
- UL, CSA, and CE
- International conduit sizes
- Direct PLC interface compatible (two circuit)
- Modular construction reduces maintenance parts costs
- Designed for ease of installation
- Variety of basic switch versions
- Wide choice of actuators

Potential Applications

- Machine tools: metal fabrication equipment, presses, transfer lines and special machinery
- Material handling equipment: conveyors, elevators, cranes, and hoists
- Packaging machinery and process equipment
- Textile machinery
- Construction machinery and equipment, vehicles and lift trucks

Description

The GLS series limit switches are specifically designed for world-wide applications and are supported by Honeywell global resources for sale and after sale service.

Product Specifications	
Availability	Global
Operating Force (O.F.)	0,120 N m [1.10 in lb]
Pretravel (P.T.)	26°
Overtravel (O.T.)	49°
Differential Travel (D.T.)	11.5°
Product Type	EN50041/47 Global Limit Switch
Actuator	Side Rotary
Lever Style	Roller - Standard
Circuitry	1NC 1NO SPDT Snap Action
Ampere Rating	10 A (Thermal)
Supply Voltage	300 Vac and 250 Vdc max.

Housing Material	Zinc Die-Cast
Termination Type	0.5 in - 14NPT conduit
Housing Type	EN 50047
Series Name	GLS MIN-DIN
Shock	50 g per IEC 68-2-27c (w/o Actuator)
Vibration	10 g per IEC 68-2-6 (w/o Actuator)
Sealing	NEMA 1, 4, 12, 13 IP66
Approvals	UL, CSA, CE
CSA File #	LR94369-3
UL File #	E37138 & E157416
Mechanical Life	10 million
Operating Temperature Range	-40 °C to 85 °C [-40 °F to 185 °F]
Comment	Roller Material: Steel
Agency Approvals and Standards	IEC 947-5-1, EN60947-5-1, UL508
UNSPSC Code	302119
UNSPSC Commodity	302119 Switches and controls and relays
Sealed	Industrial
Operating Position (O.P.)	26°

MTG-GL-167

REPLACES
DRAWING NUMBER
11

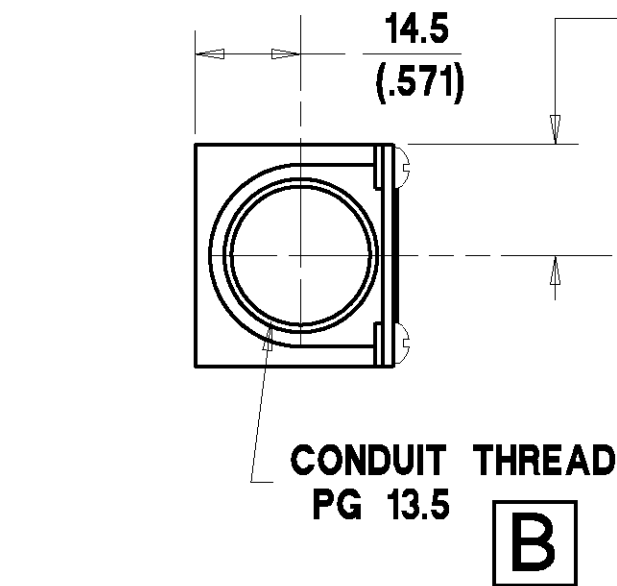
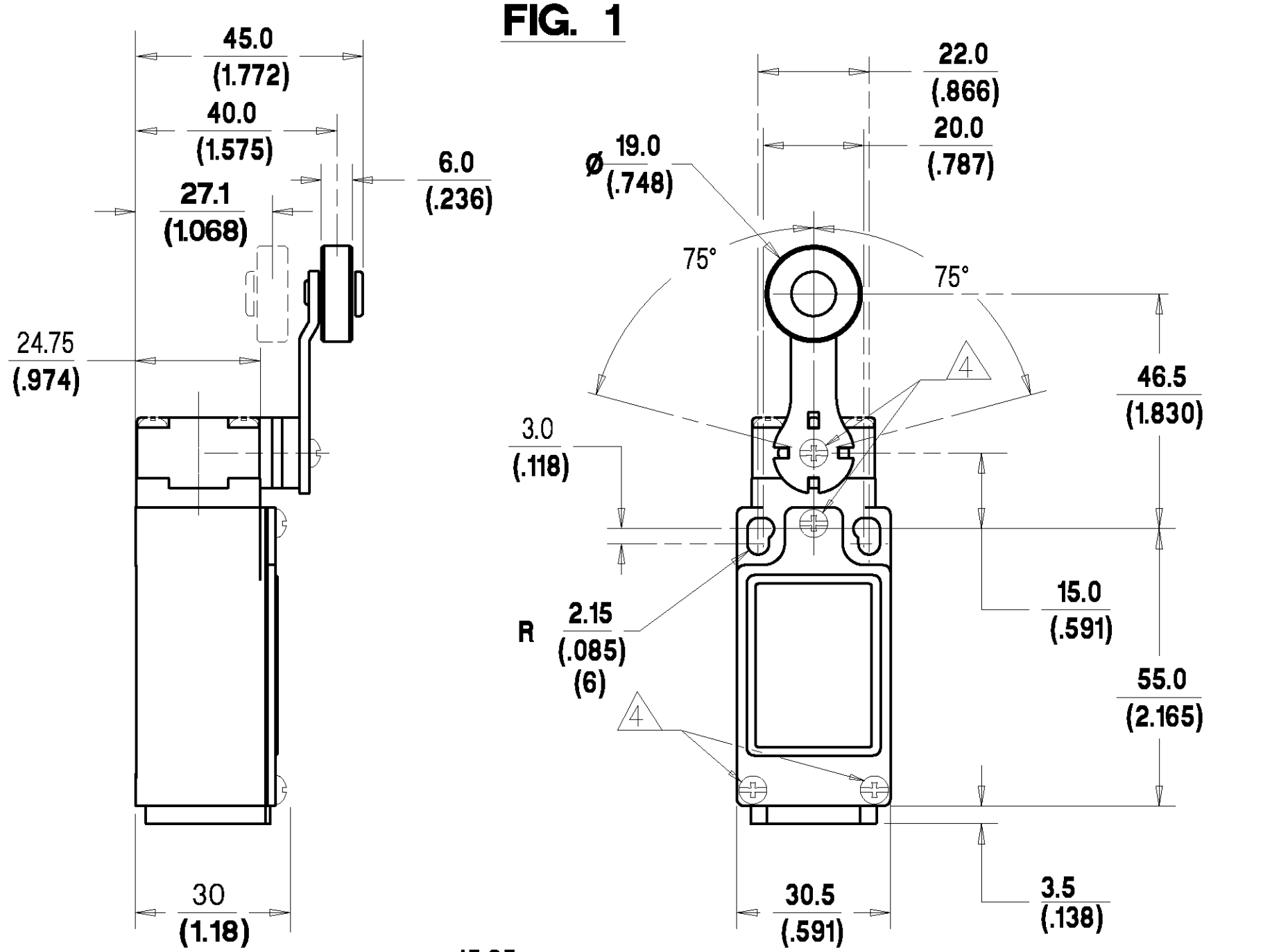
REVISIONS

6	9/96
7	12/96
8	7/97
9	8/97
10	2/98
11	CO/395
12	WEIR 6/98

Honeywell

LIMIT SWITCH

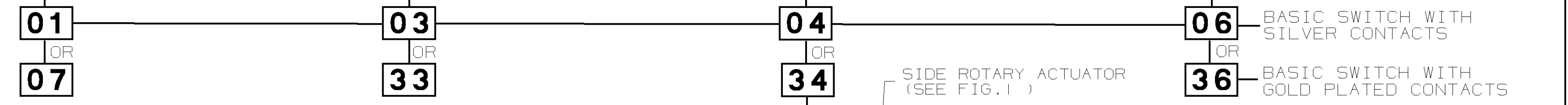
CATALOGUE LISTING
GLS
CHART NO.
MTG-GL-167



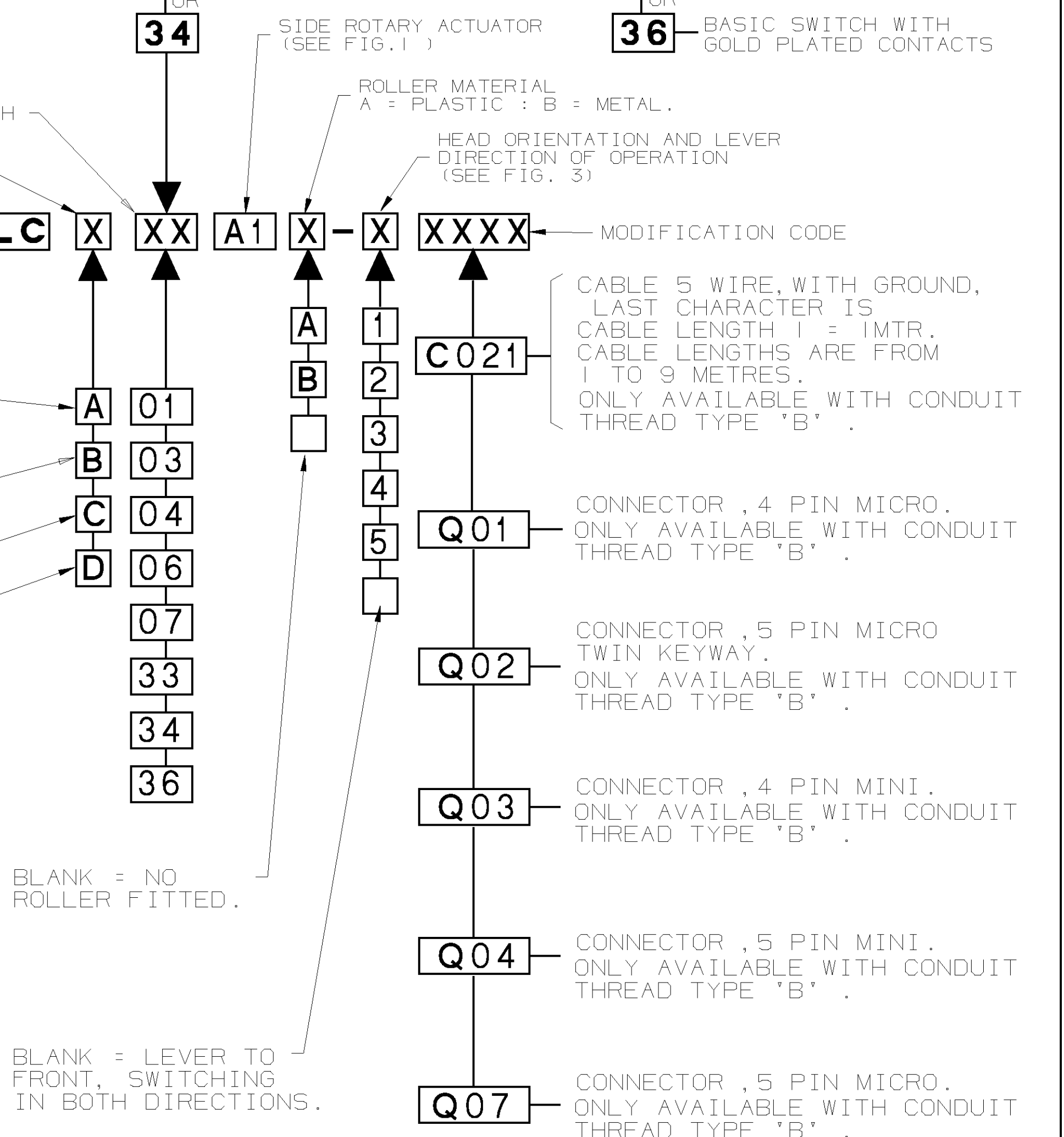
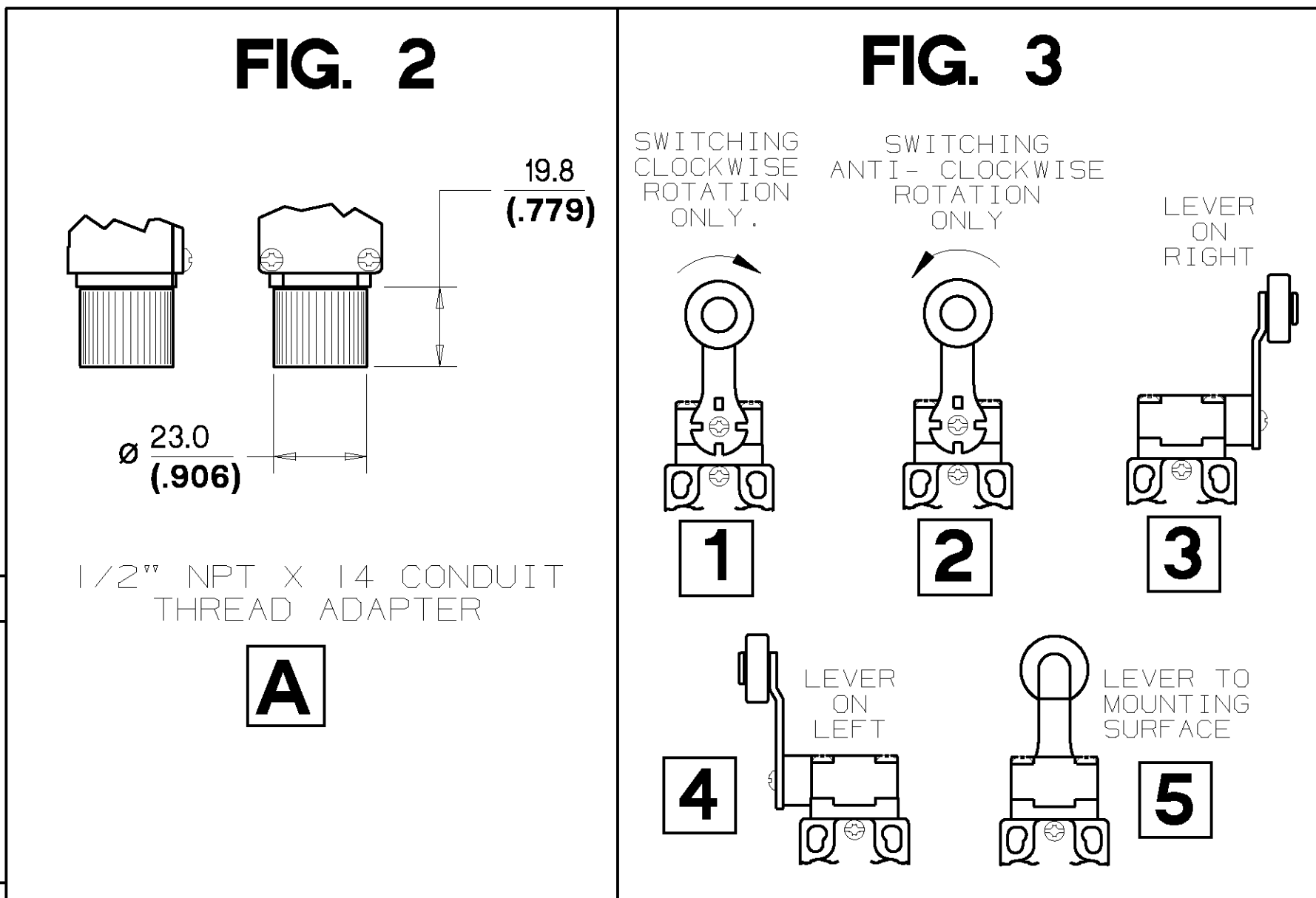
- NOTES:-
- ZINC DIECAST BODY AND HEAD WITH STEEL COVER. BODY AND COVER FINISHED IN MICRO SWITCH BLUE EPOXY PAINT. HEAD FINISHED IN BLACK EPOXY PAINT.
 - MINIMUM OPERATING VELOCITY (V_{min}) = 2.0 MM/S (THESE LIMITS APPLY TO CAM OPERATION AS SHOWN IN THE ABOVE DIAGRAMS ONLY)
MAXIMUM OPERATING VELOCITY (V_{max}) = 200 MM/S
MAXIMUM OPERATING FREQUENCY (F_{max}) = 250 OPS/MIN
 - FREE POSITION (FP), OPERATING POINT (OP), OVERTRAVEL (OT) AND PRETRAVEL (PT) ALL TO EN50047.
- 4 MAXIMUM TIGHTENING TORQUE FOR FIXING SCREW = 0.5Nm (4.4in.LB)

NO CHANGES CAN BE MADE TO THIS DRAWING WITHOUT JOINT NEWHOUSE/FREEPORT APPROVAL

SNAP-ACTION CONTACTS	SLOW-ACTION CONTACTS (BREAK BEFORE MAKE)	SLOW-ACTION CONTACTS (MAKE BEFORE BREAK)	SLOW-ACTION CONTACTS (2 NORMALLY CLOSED)	CONTACT BLOCK DIAGRAM TERMINAL DESIGNATION TO EN 50013
FP = 0° DT = 115° OP = 26° * = 54° RP = 145° OT = 6° to 75°	FP = 0° OP = 23° * = 34° OP2 = 36° OT = 6° to 75°	FP = 0° OP = 26° * = 50.5° OP2 = 39° OT = 6° to 75°	FP = 0° OP = 26° * = 46.5° OT = 6° to 75°	* POSITIVE OPENING TO IEC 947-5-1-3
120 (1.1)	110 (1.0)	110 (1.0)	110 (1.0)	NORMAL OPERATING TORQUE MAX (Nmm (in.lbs))
140 (1.3)	160 (1.5)	170 (1.6)	150 (1.4)	MAXIMUM DISCONNECT TORQUE (Nmm (in.lbs))



NOTE:- ANY STANDARD LISTING WITH SUFFIX 'RS' OR 'FE' IS PERMITTED.



NOTE: FOR CONNECTION DIAGRAMS AND ADDITIONAL ELECTRICAL, ENVIRONMENTAL & DIMENSIONAL INFORMATION SEE DRAWING GL-4922.

3/93	3/93	3/93	STANDARD SILVER CONTACTS	GOLD PLATED CONTACTS	ENVIRONMENTAL	APPROVALS
ELECTRICAL RATING		ELECTRICAL RATING		ENVIRONMENTAL		 IEC 947-5-1 EN50047
AC	DC	I _{th} = 10A		IP66 NEMA 1, 4, 12, 13		
A300 U _e	AC15 I _e	O300 U _e	DC13 I _e	TEMP RANGE : -25°C TO 85°C -13°F TO 185°F		
VOLTS AMPS	VOLTS AMPS	IV 10µA MIN.		STORAGE : -40°C TO 85°C -40°F TO 185°F		
120 240	6 3	50V 100mA MAX.		SHOCK : 50G PER IEC 68-2-27 VIBRATION : 10G PER IEC 68-2-6		
DRAWN M. LOCH		CHECK I. WEIR		SCALE 1:1		MODIFY ON CAD SYSTEM ONLY
DESIGN J. BOYD		AUTHOR P. TRICKETT		DIMENSIONS ARE IN MM/INCHES.		